

# Hydrometers

## Superior Hydraulic Performance and Reliable Flow Measuring

Hydrometers combine a water meter and hydraulic valve in a single unit - saving space and installation costs. The valve is double-chambered for quick action and positive opening and closing. Adding pilot valves and solenoids enables remote and automatic operation. No straight pipe length is required upstream or downstream of the globe configuration hydrometers making them ideal for tight installations. Available to suit a variety of applications.

### Features

- Rugged heavy-duty construction - corrosion resistant body.
- Simple maintenance - field replaceable calibrated measuring unit.
- Magnetically driven sealed registers - stainless steel/glass encapsulated and guaranteed against fogging due to moisture.
- Low headloss.
- The impeller is the only moving part in contact with the water.
- Ideal for high pressure operation.
- Available with a variety of optional valve functions.

### Available Sizes

- 1 1/2", 2", 3", 4", 6" and 8"

### Installation Requirements

- Globe configuration hydrometers require no straight pipe installation requirements.
- Prior to installation of the meter, the pipeline should be thoroughly flushed.
- Recommendation: Continuous Acting Air Vents of proper size and type be installed to eliminate air.



**Hydrometer**  
Globe Configuration

### Specifications

Maximum Working Pressure	235 psi
Maximum Liquid Temperature	140° F
Body Material	Cast Iron with Polyester Coating
Connections	Flanged, Threaded

### Globe Configuration

#### Straight Pipe Installation Requirement 0 x D and 0 x D

Size	Upstream Distance	Downstream Distance	Meter Length	Total Requirement
1 1/2"	0"	0"	6 5/16"	6 5/16"
2"	0"	0"	8 5/8"	8 5/8"
3"	0"	0"	11 1/2"	11 1/2"
4"	0"	0"	14 1/8"	14 1/8"
6"	0"	0"	19 1/2"	19 1/2"
8"	0"	0"	23 5/8"	23 5/8"

# Hydrometers

## Standard Register

### Gallon Totalizer

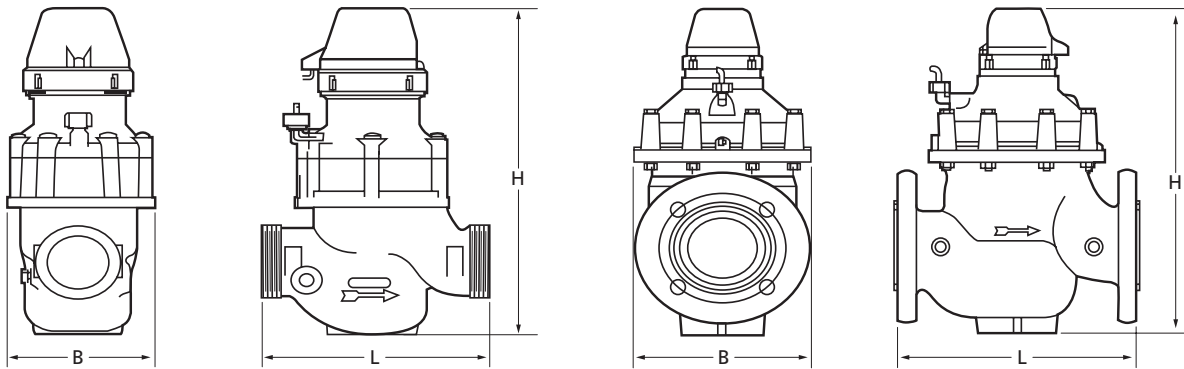
Meter Sizes		1 1/2", 2" and 3"	4", 6" and 8"
Volume Unit		Gallon x 100	Gallon x 1,000
Pulse Output (gallons/pulse)		1	10
Pointer Resolution	Pointer 1	x 0.1 Gallon	x 1 Gallon
	Pointer 2	x 1.0 Gallon	x 10 Gallon
	Pointer 3	x 10 Gallon	x 100 Gallon



**Standard Register**  
Gallon Totalizer

### Electrical Specifications:

Maximum Contact Current: 50 MA  
Maximum Contact Voltage: 48 VDC



## Dimensions and Weight

Size/ Configuration	L Length	B Width	H Height	Weight
1 1/2" Globe	6 5/16"	4 3/4"	10 3/8"	4 lbs.
2" Globe	8 5/8"	4 3/4"	13"	8 lbs.
3" Globe	11 1/2"	8 1/16"	16 1/2"	54 lbs.
4" Globe	14 1/8"	9 1/16"	18"	67 lbs.
6" Globe	19 1/2"	14 7/8"	25 1/4"	265 lbs.
8" Globe	23 5/8"	17 11/16"	30 1/8"	331 lbs.

# Hydrometers

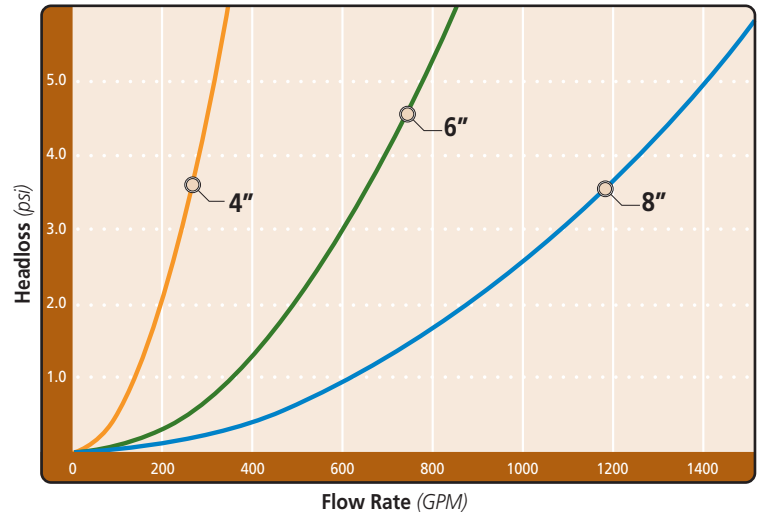
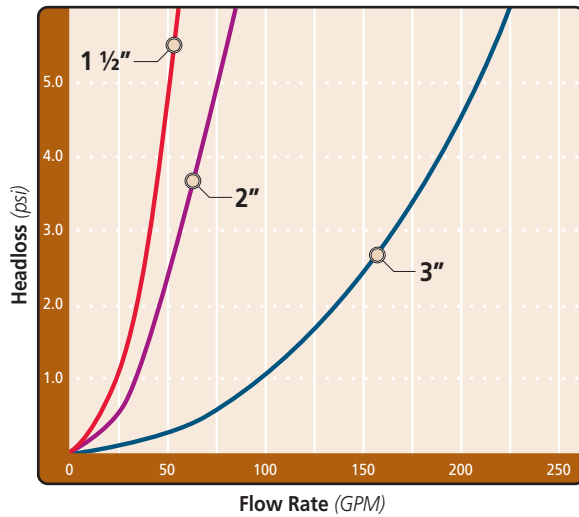
## Performance Data

Size	Lowest Flow	Lowest Flow	Nominal Flow	Maximum Flow
	within ± 5% Accuracy	within ± 2% Accuracy	within ± 2% Accuracy	within ± 2% Accuracy
1 1/2"	1.8 GPM	4.4 GPM	44 GPM	55 GPM
2"	5.3 GPM	20 GPM	66 GPM	95 GPM
3"	14 GPM	53 GPM	176 GPM	220 GPM
4"	21 GPM	79 GPM	264 GPM	380 GPM
6"	53 GPM	198 GPM	660 GPM	860 GPM
8"	97 GPM	357 GPM	1,189 GPM	1,500 GPM

## Cv Values

Size	Cv (Flow Rate at 1.0 psi of Headloss)
	1 1/2"
2"	35 GPM
3"	92 GPM
4"	139 GPM
6"	347 GPM
8"	624 GPM

## Headloss Charts



## Ordering Information

Size	Connection	Configuration	Gallons per Pulse	Item Number	Model Number
1 1/2"	Union	Globe	1	70261-014050	36HM1.5TG
2"	Union/Thrd	Globe	1	70261-014200	36HM2TG
3"	Flanged	Globe	1	70261-014630	36HM3FG-1
4"	Flanged	Globe	10	70261-015100	36HM4FG
6"	Flanged	Globe	10	-	36HM6FG-10
8"	Flanged	Globe	10	70261-015840	36HM8FG-10

Only available with Standard Register.

## Optional Control Functions

Valve Function	Function Code
Manual	M
Manual Electric	MEL
Hydraulic Remote Control	RC
Pressure Reducing	PR
Pressure Reducing Electric	PREL
Pressure Reducing Remote Control	PRRC
Pressure Reducing/ Pressure Sustaining	PRPS
Pressure Reducing/ Pressure Sustaining Electric	PRPSEL
Pressure Sustaining	PS
Pressure Sustaining Electric	PSEL

Call for Item Numbers and availability.