



Technical Data Sheet Simplex SF1 Panel

Adenus® Technologies simplex SF1 control panels are specifically designed and engineered for control of effluent pumps and floats in STEP systems. The SF1 control panel is used in STEP applications where a redundant off or low-level alarm is not needed. Our control panels offer high level alarm, pump on/off control, and an elapsed time meter for overall pump run time. All SF1 control panels are manufactured by Adenus® in our UL-listed HAWK panel shop that is the gold standard for system controls. Adenus® control panels are easily installed and are fabricated precisely, making them a viable option for all STEP systems.

Applications

- Residential homes

Product Details

- Easy installation
- UL 508A rated
- Color coordinated wiring with matching terminals
- Piezo audible / visible alarm
- Separate pump and control circuits
- No printed circuit boards

SKU

- AT-SF1-ETM



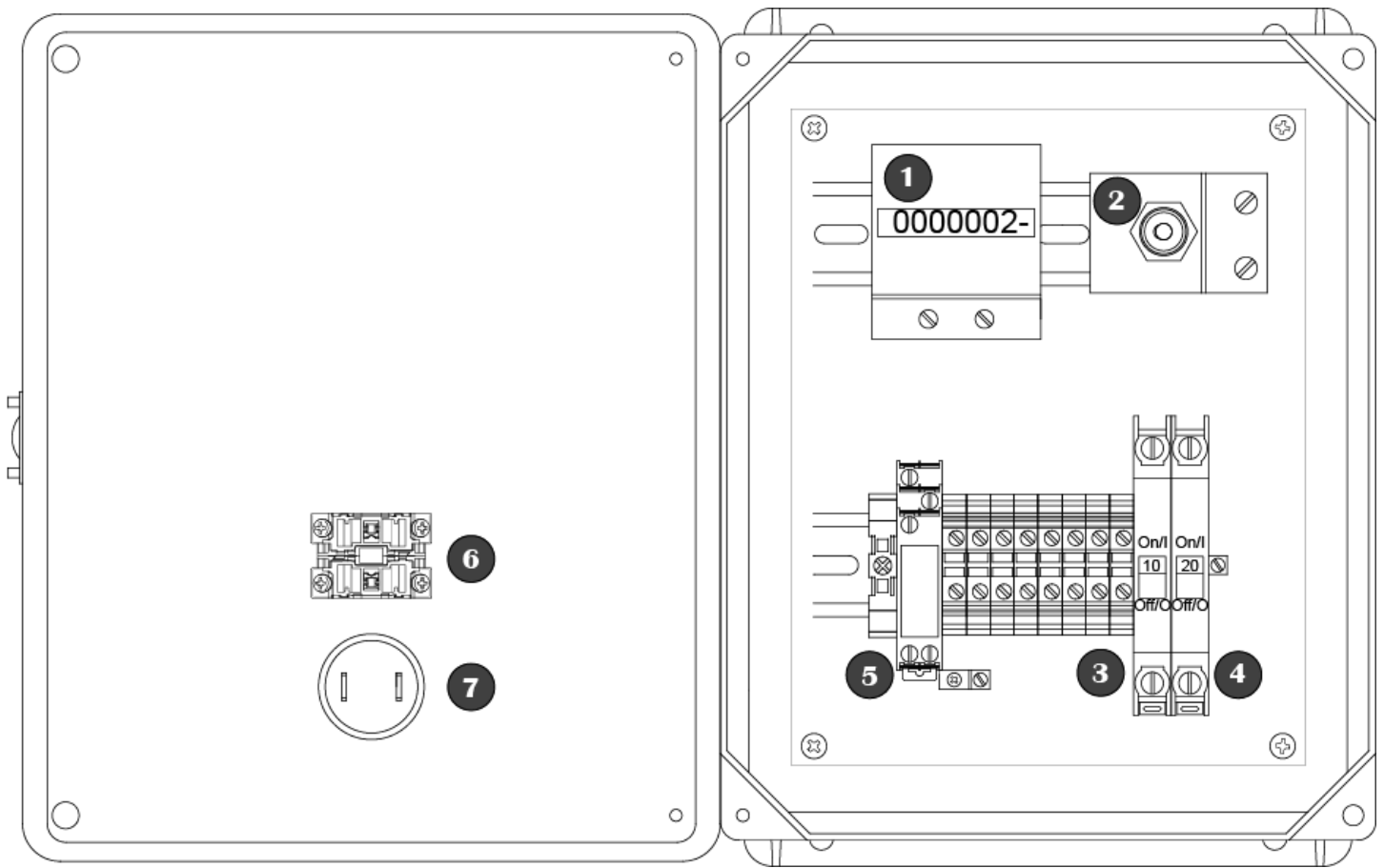
All Adenus® Technologies control panels are quality tested, certified, and UL listed.



Materials of Construction

- UV resistant fiberglass enclosure
- Non-corrosive stainless-steel hinge and latch

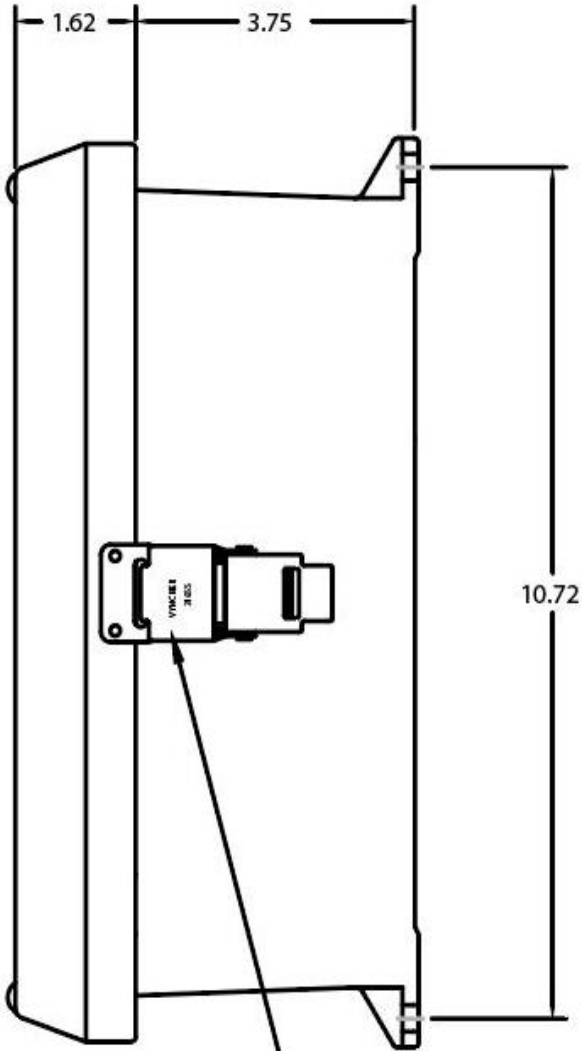
Control		Pump	
Volts	120 VAC	Max Horsepower	1 HP
Max Amps	5 Amps	Volts	120 VAC
Hertz	60 Hz	Max Amps	16 Amps
Phase	Single	Hertz	60 Hz
		Phase	Single



<i>Component</i>	<i>Specifications</i>
1 - Elapsed Time Meter	120 VAC; 6 - digit; non-resettable
2 - Toggle Switch	Single pole; 20 amps; 1 HP; double-throw HOA switch
3 - Controls Circuit Breaker	10 amps; OFF/ON switch; single pole VAC; DIN rail mounting with thermal magnetic tripping characteristics
4 - Pump Circuit Breaker	20 amps; OFF/ON switch; single pole 120 VAC; DIN rail mounting with thermal magnetic tripping characteristics
5 - Silence Relay	120 VAC; automatic reset
6 - Visual Alarm	7/8" diameter red lens; Push to Silence" NEMA 4x; 1 watt bulb; 120 VAC
7 - Audio Alarm	93 dB @ 24"; warble-tone sound

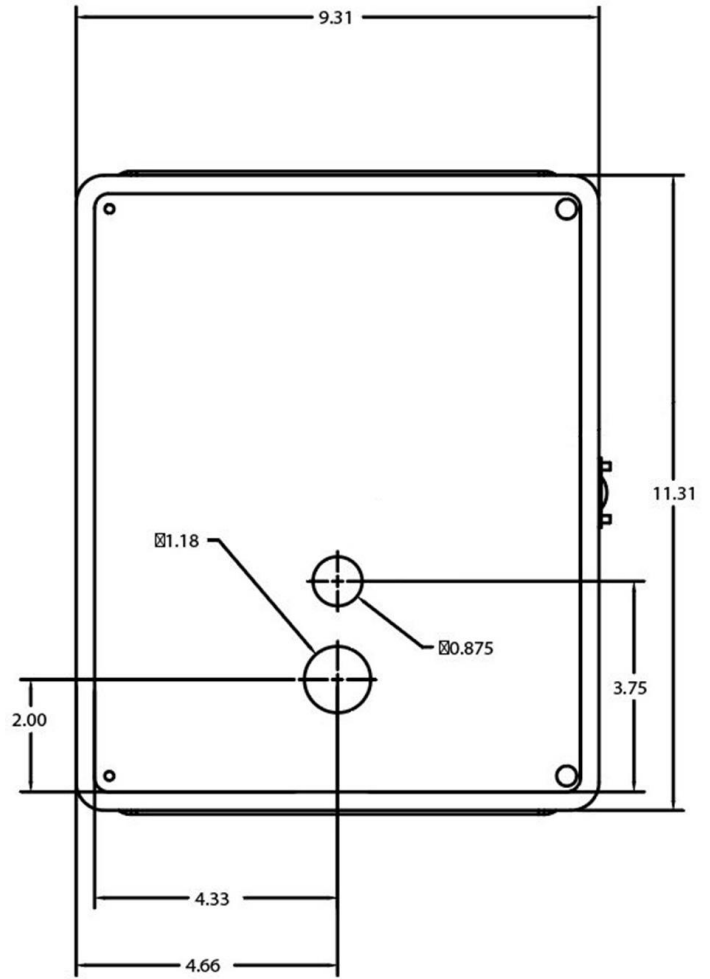


RIGHT SIDE VIEW



316 STAINLESS STEEL
PADLOCK LATCH ATTACHED
WITH RIVETS. Ø.375 PADLOCK EYE

FRONT VIEW



FRONT VIEW - COVER REMOVED

